



APP DR10 is the collective element of digital monitoring system made by Elektronik Art.

The rack makes it possible to insert up to 10 digital devices such as video, audio, data and contact closure signals fiber optic converters in 19" cabinet.

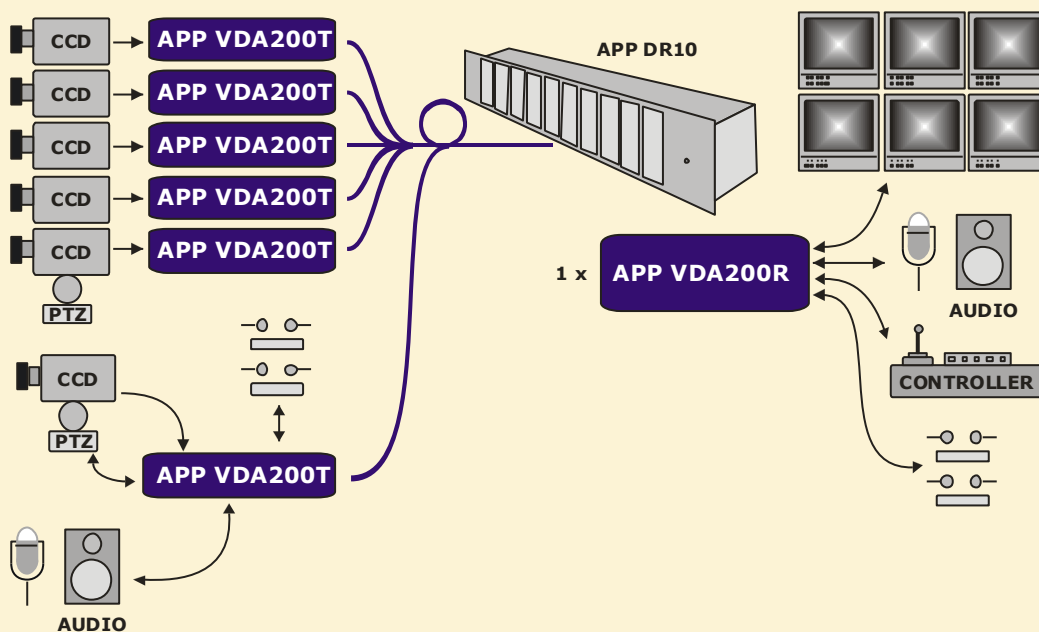
APP DR10 is supported with internal, configurable RS-485 data bus which cooperates with electrical conversion module, enables to create data transmission system.

The rack is able to hold the devices such as: video, data and CC APP VD200, video, audio, data and CC APPVDA200, 4 x video, data and CC APP MDV4, audio, data and CC APP AD100, data and CC APP D300, complete RS-232C APP D232C and 10/100 Mbps Ethernet APP EC100.



- up to 10 modules
- integrated 230 VAC power supply
- 19", 3U

Application diagram:



**Technical parameters:**

<b>Operating temperature range:</b>	0 do + 65 °C
<b>Humidity:</b>	80 % (relative humidity at 20 °C)
<b>Power supply:</b>	230 VAC
<b>Dimensions:</b>	483 x 88 x 100 mm (19", 2U)
<b>Housing:</b>	clear anodised aluminium

**Devices inserted to APP DR10:**

<b>Multi-mode system (MM)</b>			
APP VD200TM*	1 x V →, 1 x D ↔, 2 x CC ↔	LD/PIN 1310/1550 nm, 1 x MM	up to 5 km
APP VD200RM*	1 x V ←, 1 x D ↔, 2 x CC ↔	LD/PIN 1550/1310 nm, 1 x MM	up to 5 km
APP VDA200TM*	1 x V →, 2 x A ↔, 1 x D ↔, 2 x CC ↔	LD/PIN 1310/1550 nm, 1 x MM	up to 4 km
APP VDA200RM*	1 x V ←, 2 x A ↔, 1 x D ↔, 2 x CC ↔	LD/PIN 1550/1310 nm, 1 x MM	up to 4 km
APP MV4TM*	4 x V →	VCSEL 850 nm, 1 x MM	up to 4 km
APP MV4RM*	4 x V ←	PIN 850 nm, 1 x MM	up to 4 km
APP MDV4TM*	4 x V →, 1 x D ↔, 1 x CC ↔	LD/PIN 1310/1550 nm, 1 x MM	up to 4 km
APP MDV4RM*	4 x V ←, 1 x D ↔, 1 x CC ↔	LD/PIN 1550/1310 nm, 1 x MM	up to 4 km
APP D300TRM*	1 x D ↔, 6 x CC ↔	LD/PIN 1310 nm, 2 x MM	up to 5 km
APP D300TRM*	1 x D ↔, 6 x CC ↔	LD/PIN 1310/1550 nm, 1 x MM	up to 5 km
APP D300TRM*	1 x D ↔, 6 x CC ↔	LD/PIN 1550/1310 nm, 1 x MM	up to 5 km
APP D232CTRM*	3 x D ↔	LD/PIN 1310 nm, 2 x MM	up to 5 km
APP D232CTRM*	3 x D ↔	LD/PIN 1310/1550 nm, 1 x MM	up to 5 km
APP D232CTRM*	3 x D ↔	LD/PIN 1550/1310 nm, 1 x MM	up to 5 km
APP AD100TRM*	2 x A ↔, 1 x D ↔, 3 x CC ↔	LD/PIN 1310 nm, 2 x MM	up to 5 km
APP AD100TRM*	2 x A ↔, 1 x D ↔, 3 x CC ↔	LD/PIN 1310/1550 nm, 1 x MM	up to 5 km
APP AD100TRM*	2 x A ↔, 1 x D ↔, 3 x CC ↔	LD/PIN 1550/1310 nm, 1 x MM	up to 5 km
APP EC100TRM*	1 x 10/100 Eth ↔	LD/PIN 1310 nm, 2 x MM	up to 5 km
APP EC100TRM*	1 x 10/100 Eth ↔	LD/PIN 1310/1550 nm, 1 x MM	up to 5 km
APP EC100TRM*	1 x 10/100 Eth ↔	LD/PIN 1550/1310 nm, 1 x MM	up to 5 km
<b>Single-mode system (SM)</b>			
APP VD200TM*	1 x V →, 1 x D ↔, 2 x CC ↔	LD/PIN 1310/1550 nm, 1 x SM	up to 60 km
APP VD200RM*	1 x V ←, 1 x D ↔, 2 x CC ↔	LD/PIN 1550/1310 nm, 1 x SM	up to 60 km
APP VDA200TM*	1 x V →, 2 x A ↔, 1 x D ↔, 2 x CC ↔	LD/PIN 1310/1550 nm, 1 x SM	up to 60 km
APP VDA200RM*	1 x V ←, 2 x A ↔, 1 x D ↔, 2 x CC ↔	LD/PIN 1550/1310 nm, 1 x SM	up to 60 km
APP MV4TM*	4 x V →	LD 1310 nm, 1 x SM	up to 60 km
APP MV4RM*	4 x V ←	PIN 1310 nm, 1 x SM	up to 60 km
APP MDV4TM*	4 x V →, 1 x D ↔, 1 x CC ↔	LD/PIN 1310/1550 nm, 1 x SM	up to 60 km
APP MDV4RM*	4 x V ←, 1 x D ↔, 1 x CC ↔	LD/PIN 1550/1310 nm, 1 x SM	up to 60 km
APP D300TRM*	1 x D ↔, 6 x CC ↔	LD/PIN 1310 nm, 2 x SM	up to 60 km
APP D300TRM*	1 x D ↔, 6 x CC ↔	LD/PIN 1310/1550 nm, 1 x SM	up to 60 km
APP D300TRM*	1 x D ↔, 6 x CC ↔	LD/PIN 1550/1310 nm, 1 x SM	up to 60 km
APP D232CTRM*	3 x D ↔	LD/PIN 1310 nm, 2 x SM	up to 60 km
APP D232CTRM*	3 x D ↔	LD/PIN 1310/1550 nm, 1 x SM	up to 60 km
APP D232CTRM*	3 x D ↔	LD/PIN 1550/1310 nm, 1 x SM	up to 60 km
APP AD100TRM*	2 x A ↔, 1 x D ↔, 3 x CC ↔	LD/PIN 1310 nm, 2 x SM	up to 60 km
APP AD100TRM*	2 x A ↔, 1 x D ↔, 3 x CC ↔	LD/PIN 1310/1550 nm, 1 x SM	up to 60 km
APP AD100TRM*	2 x A ↔, 1 x D ↔, 3 x CC ↔	LD/PIN 1550/1310 nm, 1 x SM	up to 60 km
APP EC100TRM*	1 x 10/100 Eth ↔	LD/PIN 1310 nm, 2 x SM	up to 60 km
APP EC100TRM*	1 x 10/100 Eth ↔	LD/PIN 1310/1550 nm, 1 x SM	up to 60 km
APP EC100TRM*	1 x 10/100 Eth ↔	LD/PIN 1550/1310 nm, 1 x SM	up to 60 km

\* - module to APP MidiRACK 10 rack